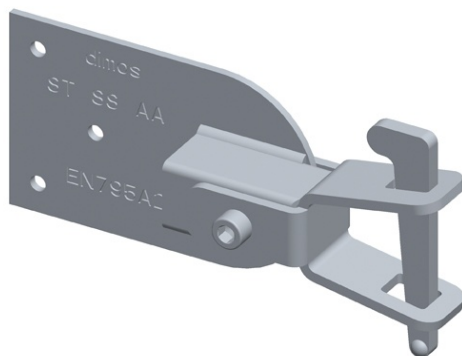


OSSMAN® keyed anchorage for handrail

The gutter anchorage is designed to take peripheral protection (railing or scaffolding) or to secure rooftop access with an PPE



FEATURES

SPECIFICATIONS

Lenght (mm)	95
Width (mm)	150
Height (mm)	30
Weight (kg)	0,558

Technical description

OSSMAN® console attachment anchor system

Actions : To work safely

Trades : Slate / Framework / Tile